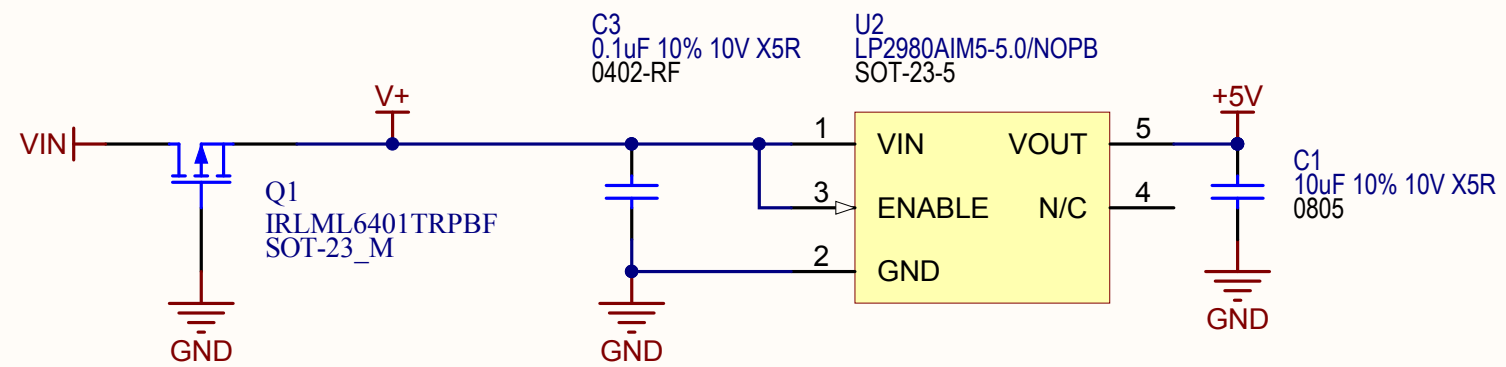
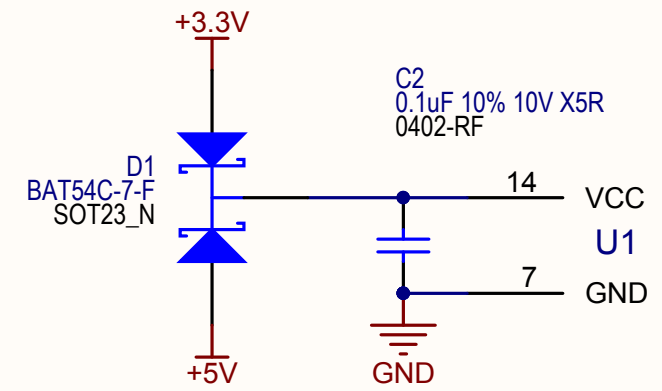
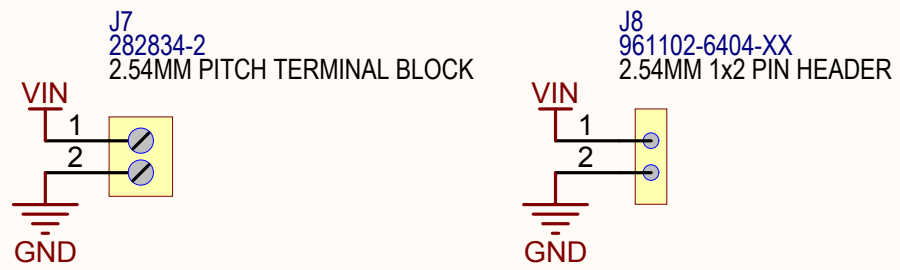
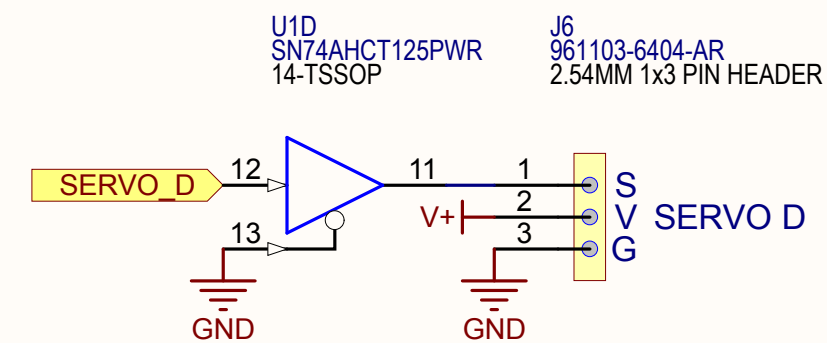
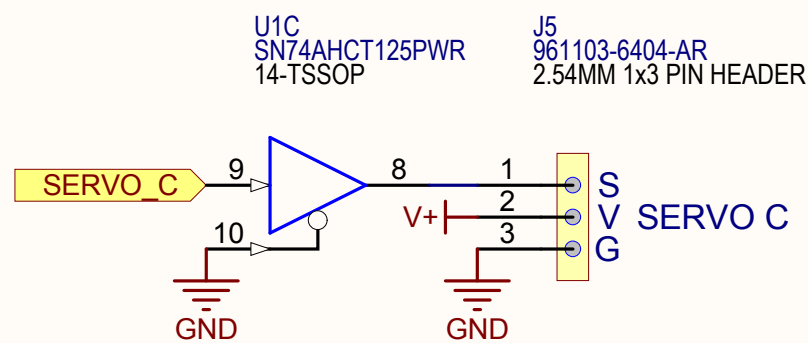
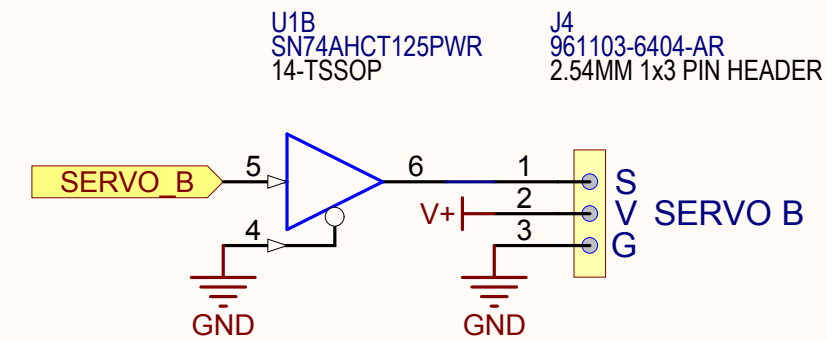
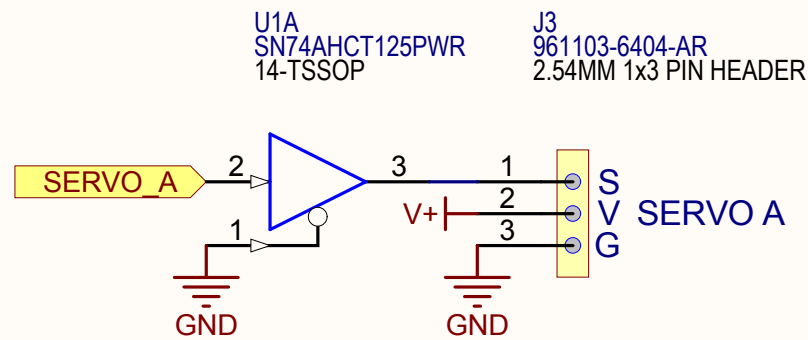
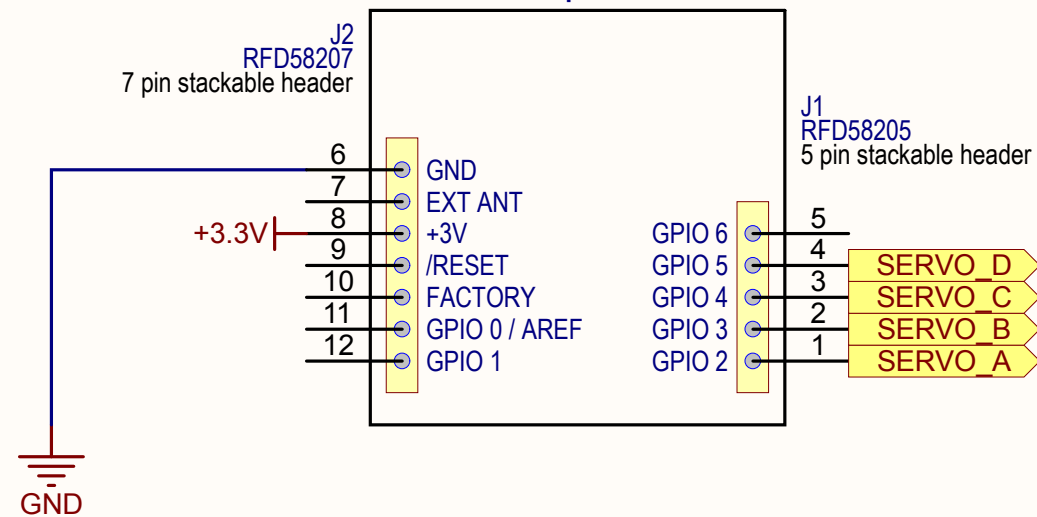


RFduino shield footprint



RFD22123 - RFduino Servo Shield
 12/12/2013 4:36:51 PM
 (C) Copyright 2013, www.RFduino.com

Title		R403 B001	
Size	Number	Revision	
A4		A	
Date:	12/12/2013	Sheet 1 of 1	