

A

B

C

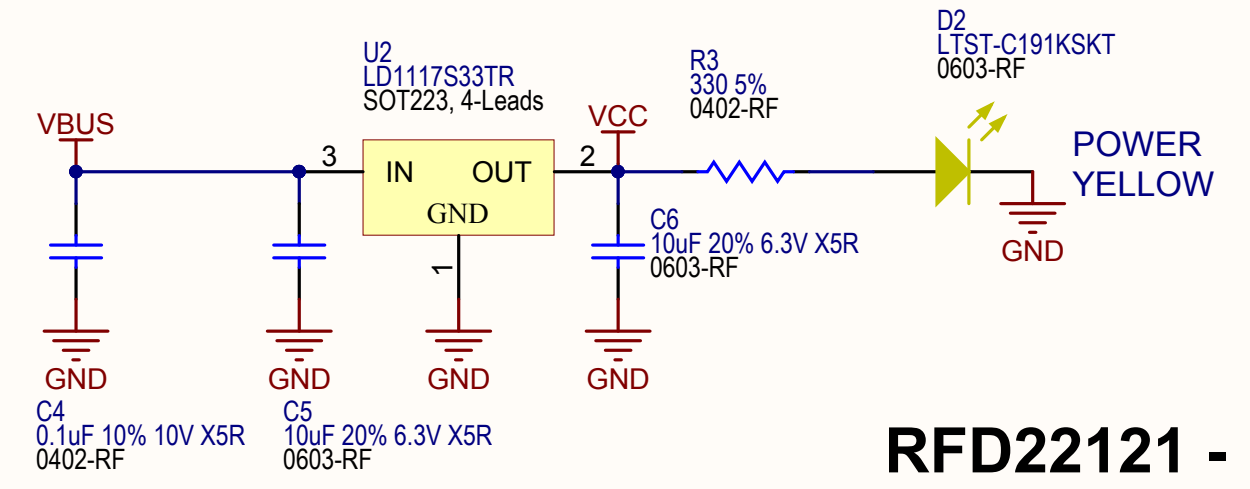
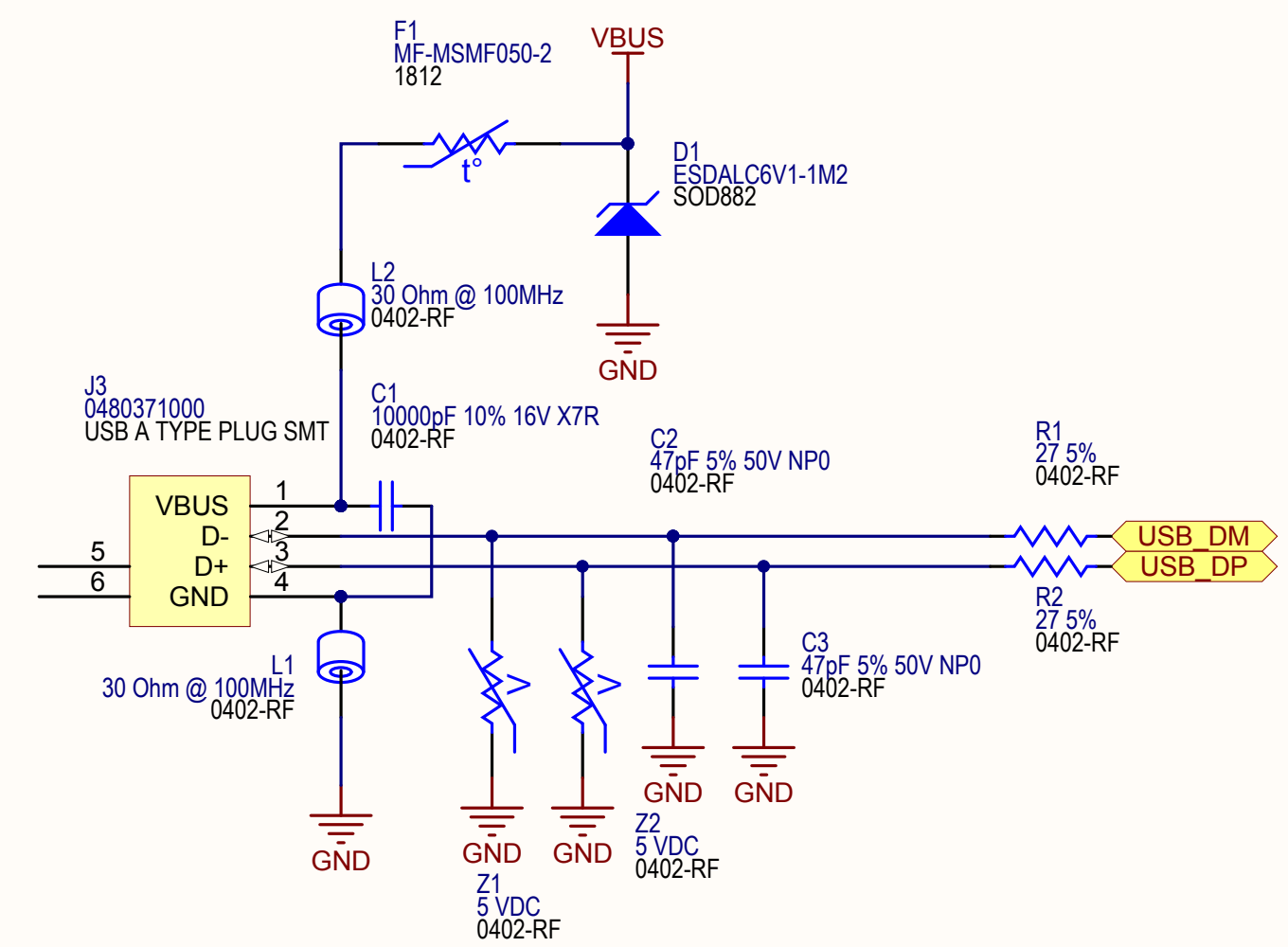
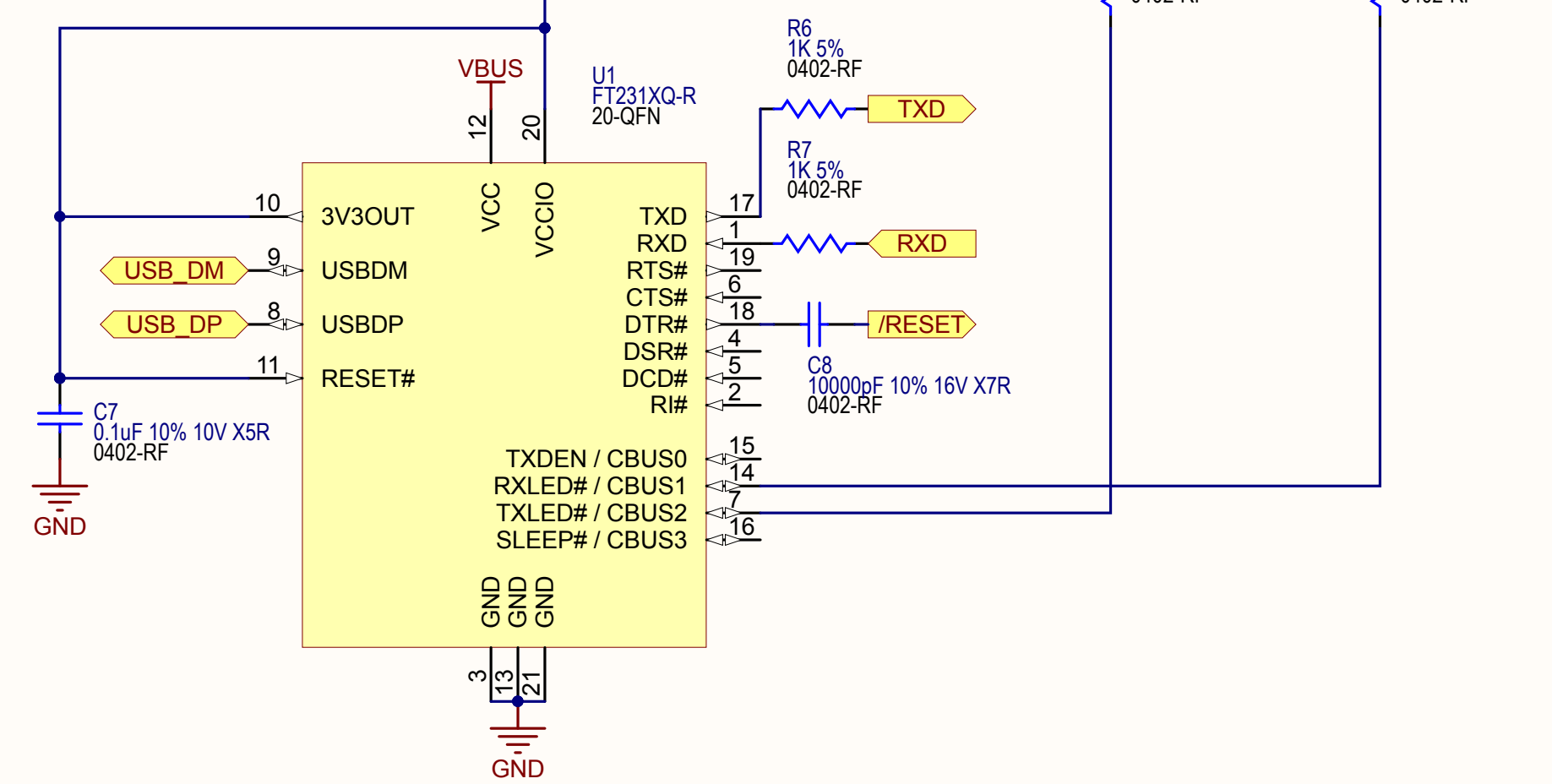
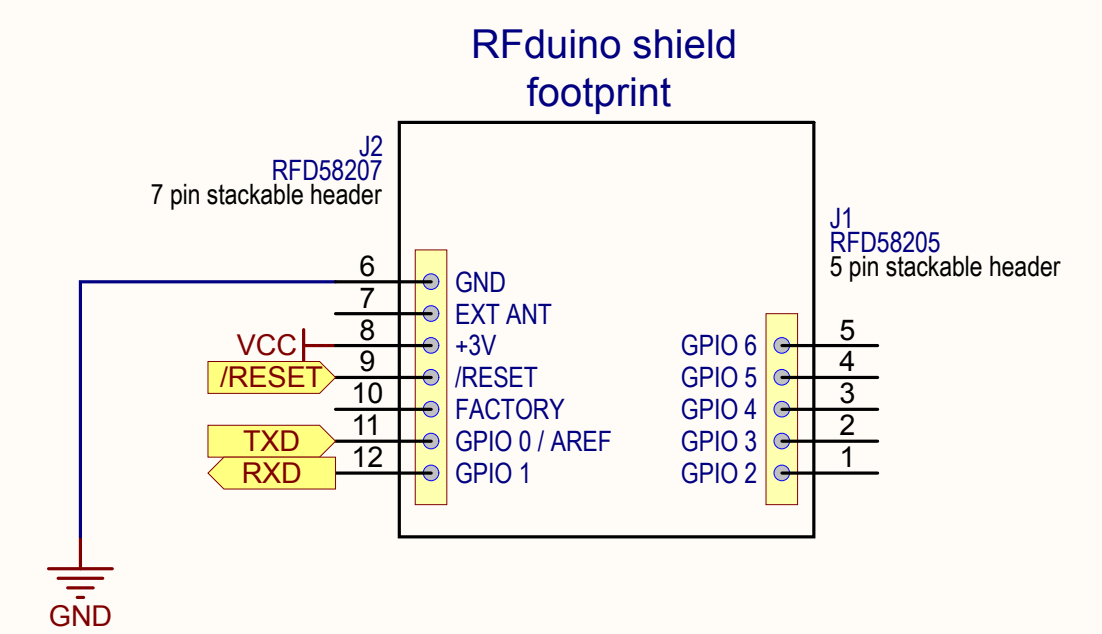
D

A

B

C

D



**RFD22121 - RFduino USB Shield**  
**12/12/2013 4:24:30 PM**  
 (C) Copyright 2013, www.RFduino.com

Title		<b>R401 B001</b>	
Size	Number	Revision	
A4		<b>A</b>	
Date:	12/12/2013	Sheet 1 of 1	